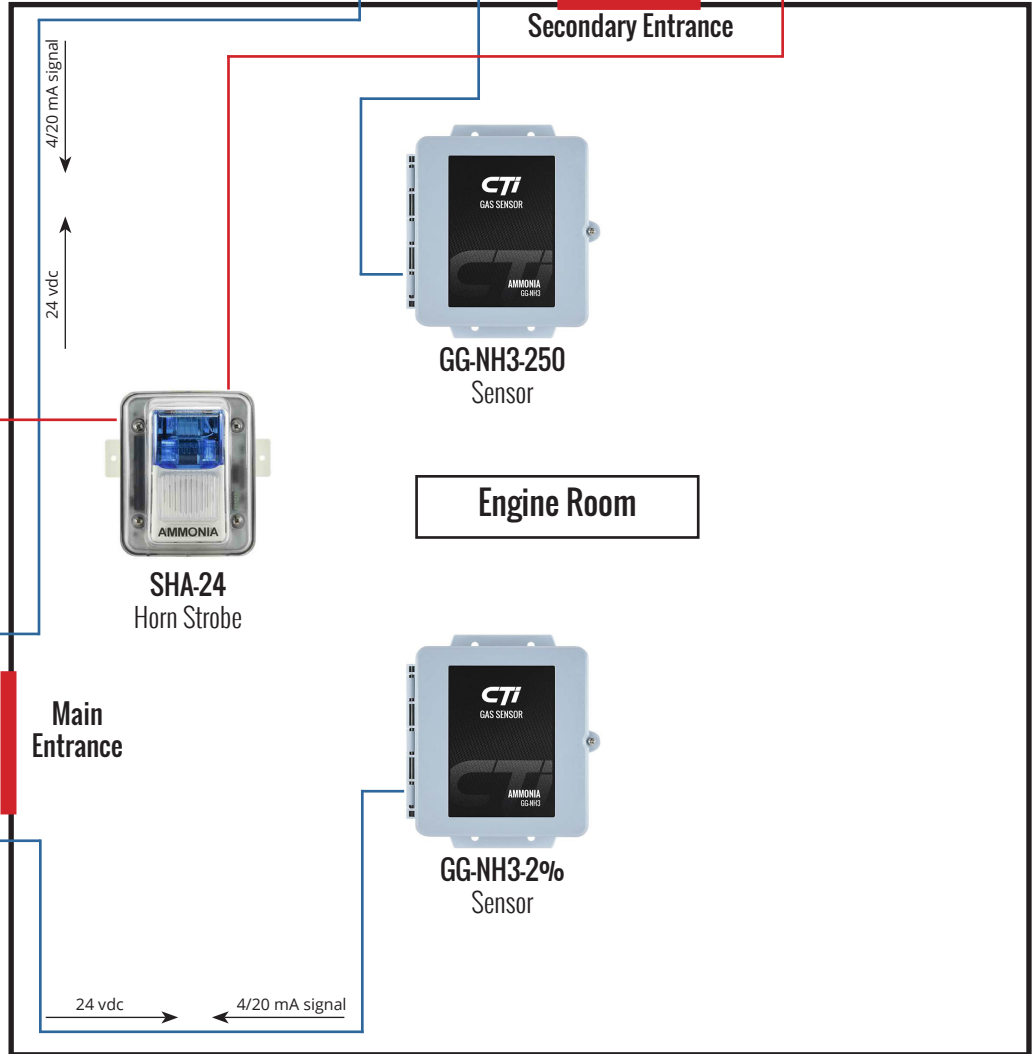


Engine Room Detection System For Two Channels

GG-EM
Entrance Monitor

SHA-24
Horn Strobe



SHA-24
Horn Strobe



Relay Output

4/20 mA signal

24 vdc

Secondary Entrance



GG-NH3-250
Sensor

Engine Room



SHA-24
Horn Strobe

Main
Entrance



GG-NH3-2%
Sensor

24 vdc

4/20 mA signal

120 VAC



**CALIBRATION
TECHNOLOGIES INC.**
GAS DETECTION SPECIALISTS