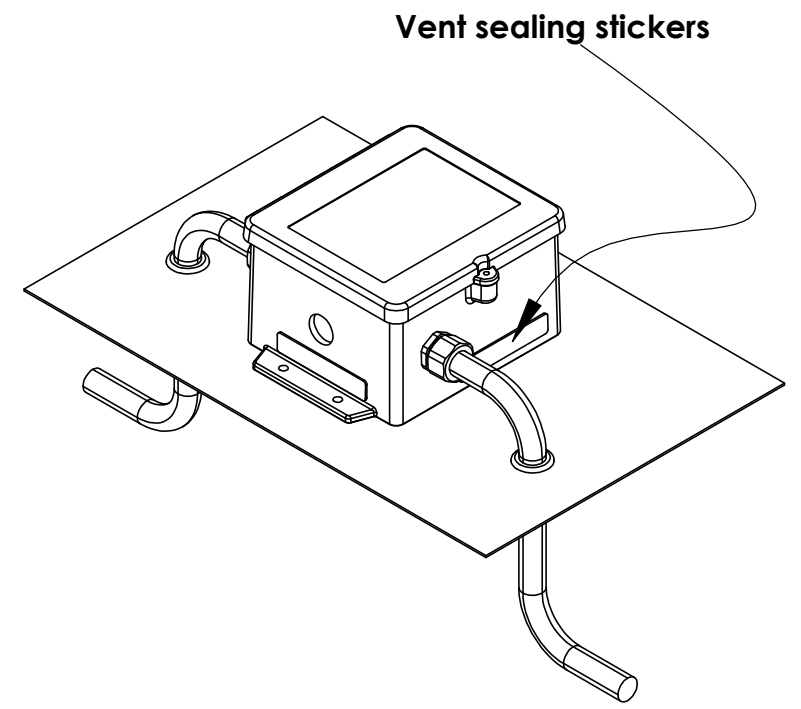
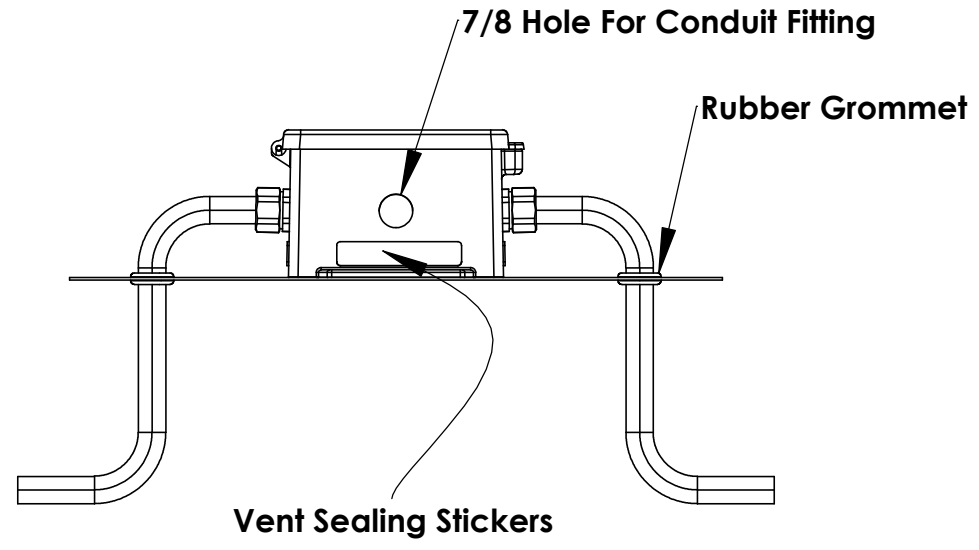
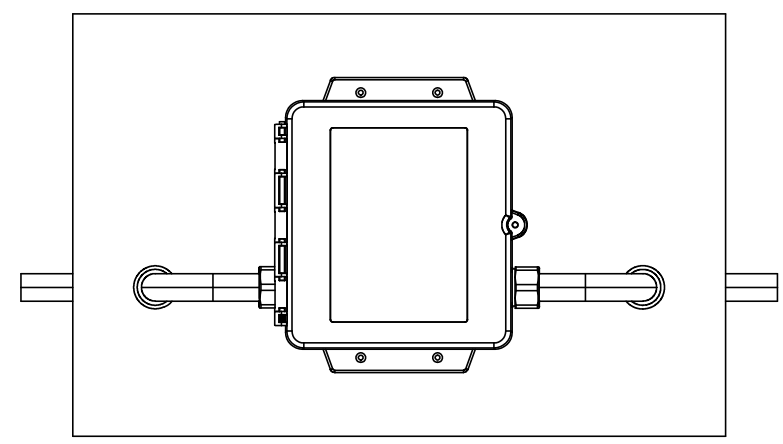
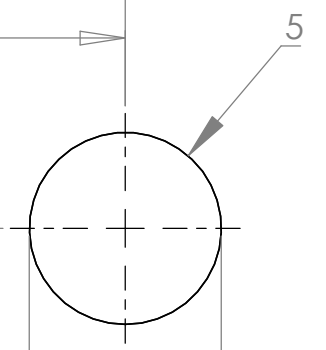
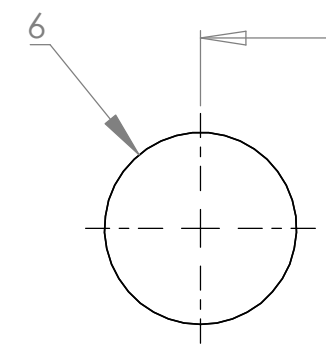
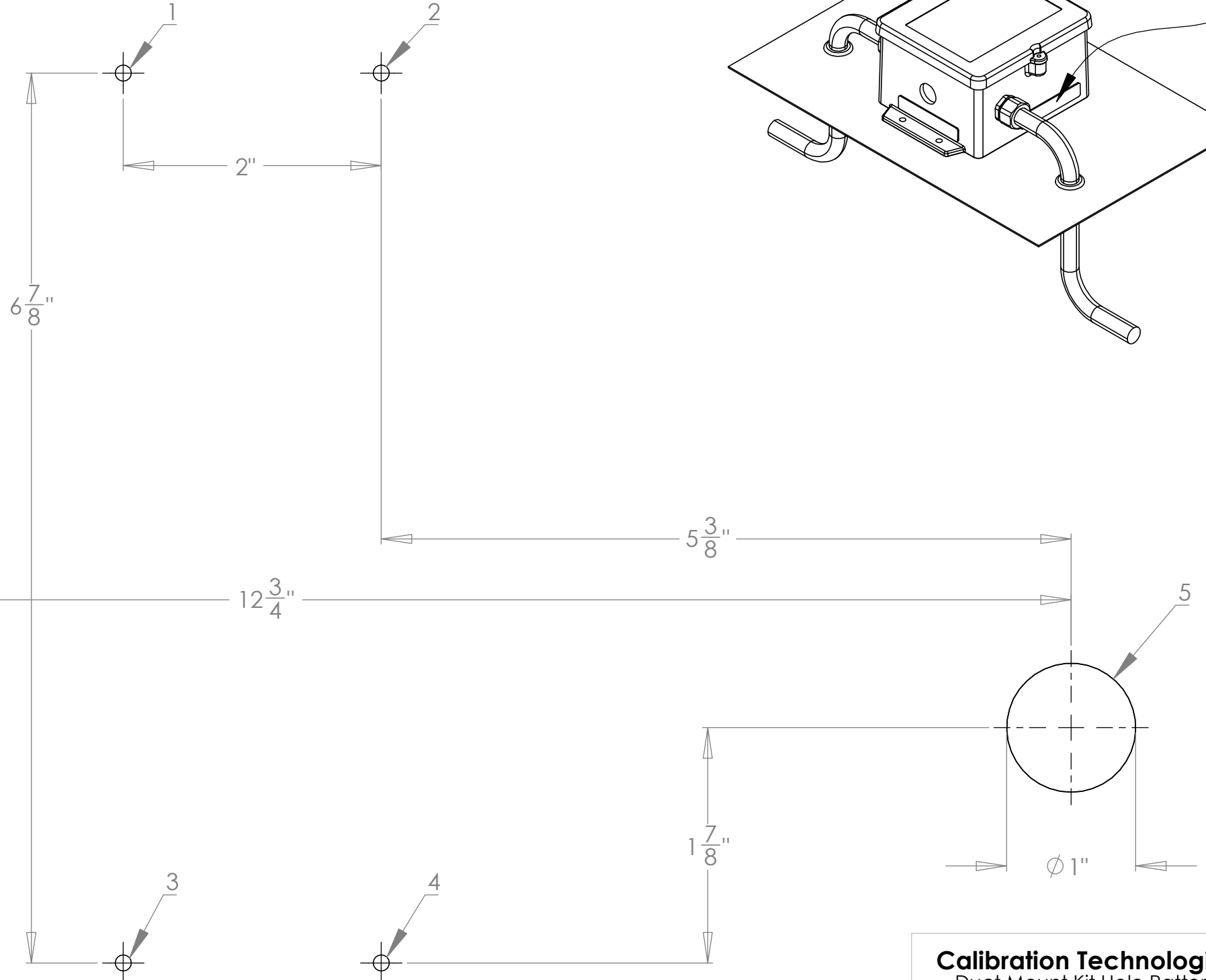


8 7 6 5 4 3 2 1



Installation:
 The sensor and duct mount kit should be downstream of any potential leak source detect the target gas entering into the system. Drill required holes for sampling tubes and sensor mounting flanges. This scale template is supplied to mark the six need holes to be drilled.



← Air Flow Either Direction →

Calibration Technologies
 Duct Mount Kit Hole Pattern

The GasGuard sensor Duct Mount Kit is designed to detect the presence of the target gas in the airstream of ductwork sections of the HVAC air handling systems

8 7 6 5 4 3 2 1