

# HORN / STROBE

## SHA-120



### Key Features

- 120 VAC, two-wire connection
- Horn and strobe activate together
- Blue, amber, red, green, or clear strobe lens covers available
- Field selectable horn tone – continuous or temporal pattern
- Field selectable candela settings – low to high intensity flash
- Corrosion, weather, and chemical resistant enclosure for washdown areas
- Weatherproof backbox included for outdoor installation
- -40°F to 150°F, NEMA 4X
- Labeled for ammonia, but sticker can be removed for use with other gases

High visibility in a weather-proof package.  
The perfect addition to your toxic gas alert system.

The SHA-120 series horn/strobe is designed to provide audible/visual signal for life safety and property protection. The SHA-120 meets or exceeds NFPA/ANSI standards and UL464/UL1638.

The horn provides either a continuous tone or a temporal pattern tone, with a 3-position volume switch. A slide switch allows for several candela settings from low to high intensity.

The SHA-120 series horn/strobe is housed in a durable poly enclosure, able to withstand weather and washdown environments. A 120VAC adaptor plate and weather-proof mounting backbox is included.

### SPECIFICATIONS

**STROBE INTENSITY:** 15 to 185 Candela  
**SOUND OUTPUT:** 99 dB @ 10 ft  
**FLASH RATE:** 1 flash per second  
**SUPPLY VOLTAGE:** 120VAC, 150 mA max  
**OPERATING TEMPERATURE:** -40°F to +150°F  
**DIMENSIONS:** 6" X 7" X 5" (H x W x D)  
**APPROVALS:** UL listed  
 Designed to meet or exceed ANSI/NFPA standards and ADA accessibility guideline

Due to ongoing research and product improvement, specifications are subject to change

### Configurations

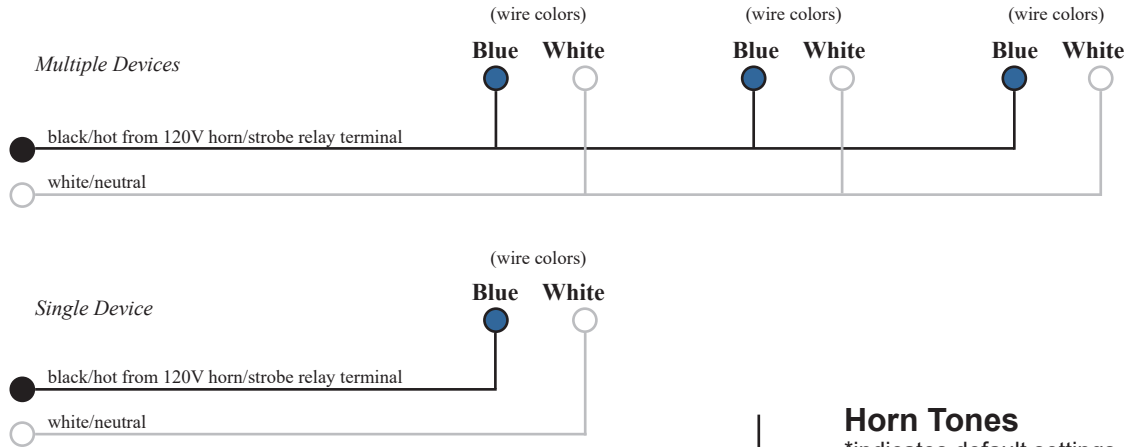
All units labeled "Ammonia" unless otherwise specified.

Order #: [SHA-120-Blue](#)  
[SHA-120-Amber](#)  
[SHA-120-Red](#)  
[SHA-120-Green](#)  
[SHA-120-Clear](#)

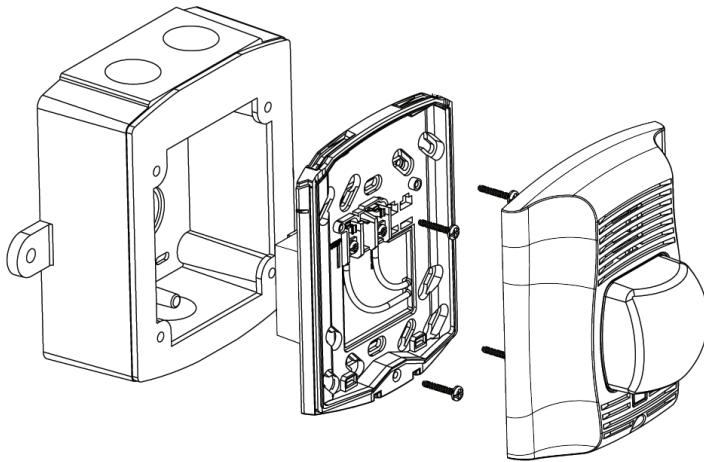


**CALIBRATION  
TECHNOLOGIES  
INC.**

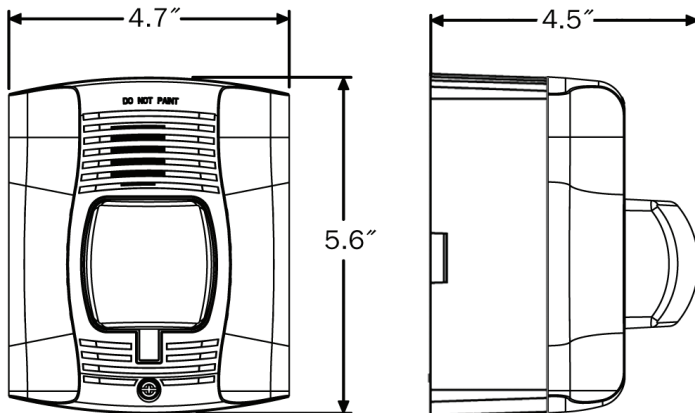
## Wiring Diagram



## Components / Assembly



## Dimensions



## Horn Tones

\*indicates default settings

Switch Position	Sound Pattern	dB Level
*1	Temporal	High
2	Temporal	Medium
3	Temporal	Low
4	Non-Temporal	High
5	Non-Temporal	Medium
6	Non-Temporal	Low
7	N/A	
8	N/A	
9	N/A	

## Candela Rating

\*indicates default settings

Strobe Output (cd)
*15
15/75
30
75
95
110
115
135
150
177
185